

PIONEER KURO MONITORS BRING CUTTING-EDGE TECHNOLOGY AND FLAWLESS DESIGN TOGETHER FOR AN EXPERIENCE UNLIKE ANYTHING YOU'VE EVER IMAGINED. EQUIPPED WITH A HOST OF OPTIONS FOR SEAMLESS SYSTEM INTEGRATION AND AWARD-WINNING BLACK LEVEL PERFORMANCE, THE PIONEER KURO MONITORS ARE AN INSTALLER'S DREAM.

- › **High-Definition 1080p Resolution (1920 x 1080p)**
- › **60" Class (59.58" Diagonal) / 16:9 Wide Screen Aspect Ratio**
- › **2 Independent HDMI® 1.3 Inputs**
- › **Ultra-Thin Cosmetic Design at Just 2.5" Deep**



Simulated Screen

KURO FEATURES

- › **New** Optimum Mode automatically analyzes and adjusts video content and room light conditions for optimum picture and performance
- › **New** Room Light Sensor
- › Image Orbiter (Off / Mode 1 / Mode 2)
- › **New** Energy Save Mode (Picture Off / Standard / Save 1 / Save 2)
- › Picture Adjustment Comparison (compare before / after picture images while adjusting settings)
- › 2 Independent HDMI 1.3 inputs with KURO Link and ability to accept 1080p True24/60Hz signal
- › 1 DVI w/HDCP
- › Standard 3:2 (60Hz) and Advanced PureCinema with 3:3 Pulldown (72Hz), Smooth (60Hz)
- › Remote Control: Illuminated / Preset Mode / Learning Mode

PICTURE SETTINGS

- › A/V Selection memory - 8 options for viewing preferences: Optimum / Standard / Dynamic / Movie / Pure / Sport / Game / User (PC input: only Standard & User)
- › Aspect Ratio Control - 13 positions: Auto* / FULL (for SD & PC) / FULL1 (only for HD) / FULL2 (only for HD) / FULL 14:9* / Dot by Dot* / Zoom* / CINEMA* / CINEMA 14:9* / 4:3 / WIDE (only for SD)* / WIDE1 (only for HD)* / WIDE2 (only for HD)*
*Except PC signal
- › Advanced Picture-in-Picture (4 positions), Picture-side-Picture (3 patterns) / SWAP and Still Picture capability

- › After Image Reduction Function
 - Orbiter (Off / Mode 1 / Mode 2)
 - Auto Size (Off / Natural / Wide-Zoom)
 - Side Mask Detection (Mode 1 - for black side masks / Mode 2 - for black & illustrated side masks)
 - Side Mask Brightness Sync (Fixed / Auto)
 - Video Pattern (White Bar)
- › Game Control Preference (AV Selection: only Game) (Off / On)
- › Room Light Sensor (Off / On)

VIDEO PROCESSING TECHNOLOGY

- › Picture Detail Settings - DRE Picture, Black Level, ACL, Enhance Mode, Gamma and CTI (No menu items for these functions)
- › Noise Reduction Setting - 3 DNR, Field NR, Block NR, Mosquito NR
- › Color Detail Settings - Color Temperature (5 Pre-settings or Manual adjustment), CTI, Color Management
- › 3DYC (Off / High / Mid / Low)
- › IP Mode (1 / 2 / 3)
- › Drive Mode (1 / 2 / 3)

VIDEO & AUDIO CONNECTIVITY

- › Inputs
 - 2 Independent HDMI 1.3
 - 1 DVI w/HDCP
 - 1 Component
 - 1 Composite
 - 1 RS232-C
 - LAN (10/100 Base T Ethernet) for IP Control
 - PC
 - Stereo Mini
 - Audio In (RCA)
- › Output
 - IR Repeater
 - Speaker Out

SOUND TECHNOLOGY

- › 9 Watt + 9 Watt Stereo Digital Amplifier w/optional 2-Way Stereo Speakers

UPC

- › 012562899503

INTEGRATED TECHNOLOGIES



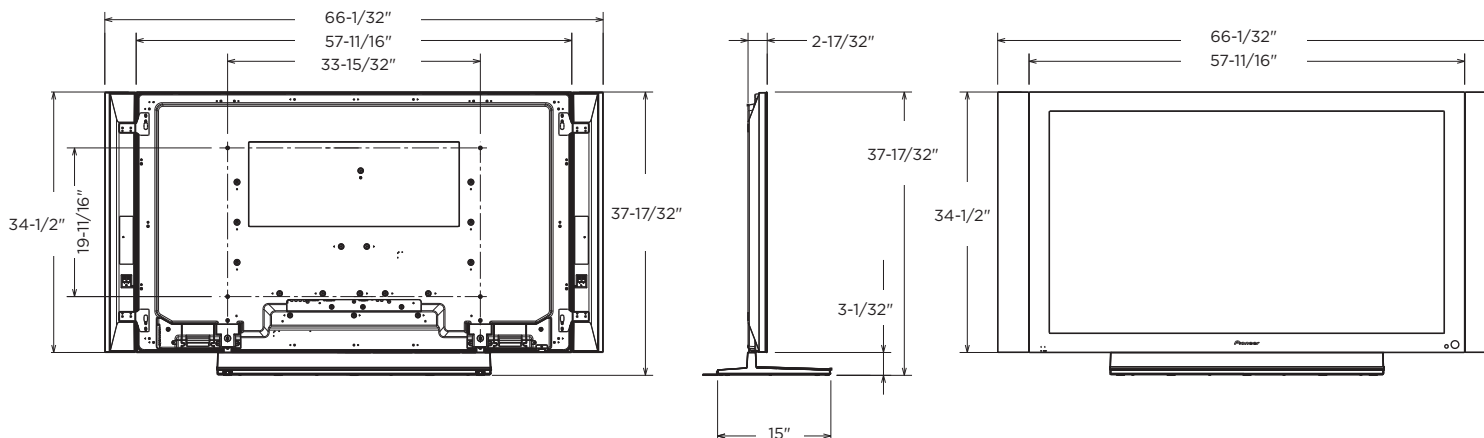
CARTON DIMENSIONS

- › (W x H x D): 62-1/64 x 39-7/8 x 14-11/16
- › Weight: 136.9 lbs

PRODUCT DIMENSIONS

- › Panel (W x H x D): 57-11/16 x 34-1/2 x 2-17/32
- › Panel w/Speaker (W x H x D): 66-1/32 x 34-1/2 x 2-17/32
- › Panel Weight: 110 lbs
- › Panel Weight w/Speaker and Stand: 131.8 lbs

Specifications and design subject to modification without notice.



Optional stand (KRP-TS01) and speakers (KRP-S02) sold separately.

Plasma Display Systems display images consisting of hundreds of thousands of minute pixels (light emitting cells), and there is a possibility that some pixels may be inactive, flashing or continually illuminated.

Plasma Display Systems are made of glass; be sure to secure it from damage from impact.

Plasma Display Systems, while in use, may generate some functional sounds, for example: fan motor noise, and electrical circuit humming/glass panel buzzing.

All phosphor-based display systems (CRT Television Systems—both direct view and projection televisions—as well as plasma display systems) may develop image retention, sometimes called burn-in if permanent. Recommended guidelines are as follows:

Do not display still images for long periods (such as fixed images from PC or TV game equipment, and/or time of day indicator or channel logo display).

Do not display content in the 4:3 aspect ratio (black or gray bars on left and right side of content) or letter-box content (black bars above and below of content) for extended periods of time, or use either of these viewing modes repeatedly within a short period of time. This Plasma Display System is equipped with multiple wide-screen viewing modes; use one of these screen modes to fill the entire screen with content.

Displaying dark images after displaying still images for a period of time may cause image retention. In most cases, the image retention can be corrected by displaying bright images for a similar period of time. However, if your Plasma Display System displays still images for additional long periods of time, image retention may be irreparable.

Plasma Display Systems emit slight amounts of IR (Infrared) emission through luminous discharge technology. This IR emission is not harmful to living organisms, but may interfere with the operation of remote controls for other equipment, or cause static in equipment using IR signals (such as cordless headphones or cordless microphones).

PIONEER and the Pioneer logo are registered trademarks of Pioneer Corporation.

HDMI and the HDMI logo are registered trademarks of HDMI Licensing, LLC.